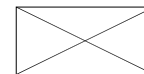


ITEM NUMBER	MODEL NUMBER	L	FILTERS	LIGHTS	CEILING PANELS	TOTAL CFM						
001	4PCR0804	56.50	1	1	2	720						
002	4PCR0808	105.00	2	2	4	1,440						
003	4PCR0812	153.50	2	3	7	1,440						
004	4PCR0816	202.00	3	4	9	2,160						
005	4PCR0820	250.50	4	5	11	2,880						
006	4PCR0824	299.00	4	6	14	2,880						

SYMBOLS



LIGHT FIXTURE, 2 X 4

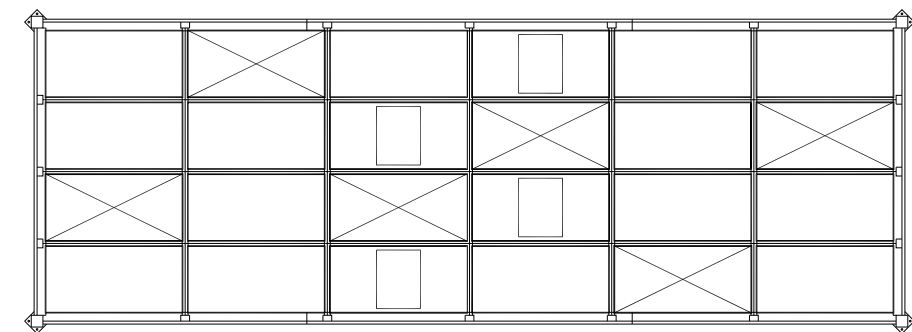
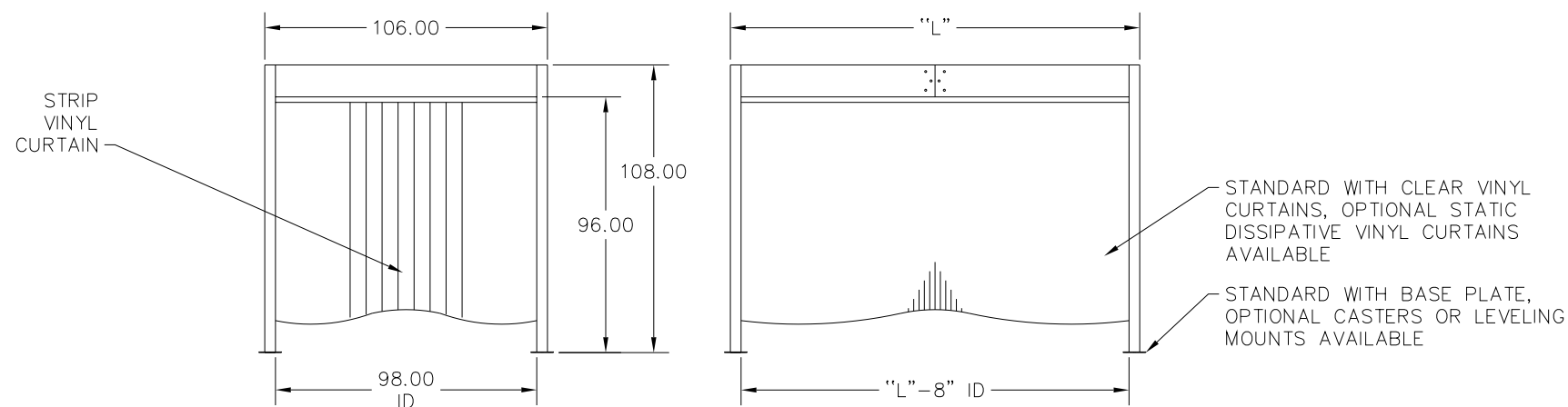
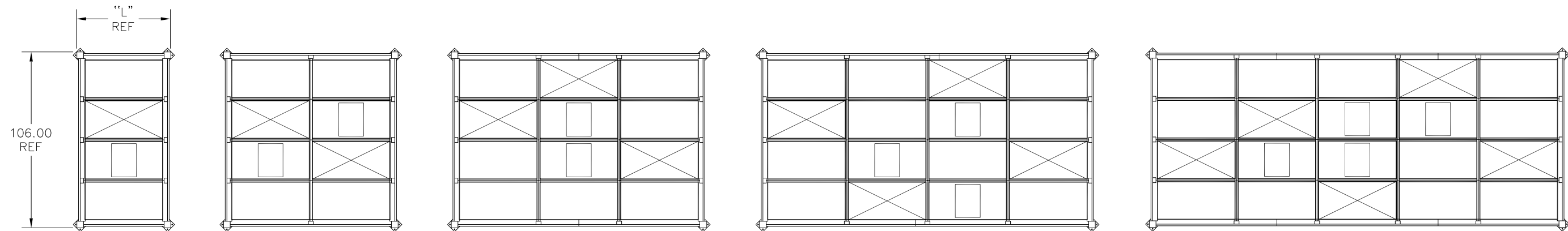


FILTER MODULE, 2 X 4



CEILING PANEL, 2 X 4

NO.	REVISIONS	DATE	REV. BY	APP. BY



NOTES:

1. CONSTRUCTION: 11, 16 GAUGE COLD ROLLED STEEL, 14, 18 GAUGE ALUMINUM, HOT ROLLED TUBE STEEL AND HOT ROLLED FLAT BAR..
2. FINISH: CHIP RESISTANT POWDER COAT, MEDIUM TEXTURE SEMI-GLOSS WHITE.
3. PREFILTERS: DISPOSABLE PANEL TYPE FILTERS.
4. FINAL FILTERS: 99.99% EFFICIENT, LEAK-TESTED AND SCANNED, GLASS MEDIA.
5. BLOWER/MOTOR: IMPELLER WITH SOLID STATE SPEED CONTROLLER
6. LIGHTING: FLUORESCENT TUBE TYPE.
7. ELECTRICAL: 120 VOLT, 60 HERTZ, SINGLE PHASE.

This drawing and design are the property of Pure Aire Corporation. They are submitted on the condition that they are not to be copied in whole or in part or used for any purpose detrimental to Pure Aire Corp.	DRN. RD	DATE: 01/30/98	 2219 Agate Court, Simi Valley, CA. 93065-1839 Phone (805) 527-1622 FAX (805) 527-2664
	DES. DATE:		
	CHK. DATE:		
	ENG. DATE:		
	MFG. DATE:		
APR. DATE:		TITLE	
APR. DATE:		CLASS 10,000 PORTABLE SOFWALL CLEANROOM 8 X XX FOOT	
UNLESS OTHERWISE SPECIFIED DIMENSIONS ARE IN INCHES	CUSTOMER	SIZE	REV.
DO NOT SCALE PRINT		D	DRAWING NO. 0001-200303
		SCALE: NONE	1 OF 1