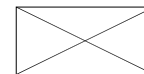


ITEM NUMBER	MODEL NUMBER	L	FILTERS	LIGHTS	CEILING PANELS	TOTAL CFM						
001	4PCR0604	56.50	1	1	1	720						
002	4PCR0608	105.00	1	2	3	720						
003	4PCR0612	153.50	2	2	5	1,440						
004	4PCR0616	202.00	2	3	7	1,440						
005	4PCR0620	250.50	3	4	8	2,160						
006	4PCR0624	299.00	3	4	11	2,160						

SYMBOLS



LIGHT FIXTURE, 2 X 4

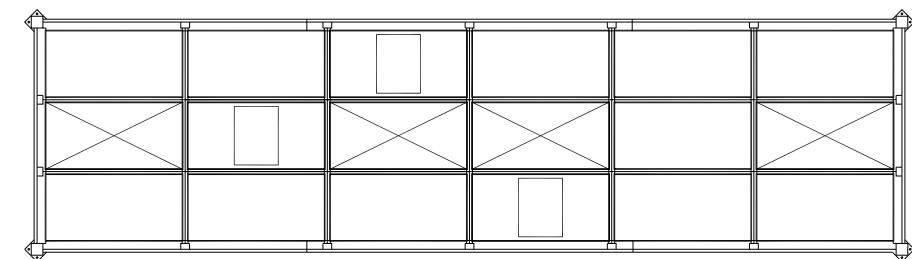
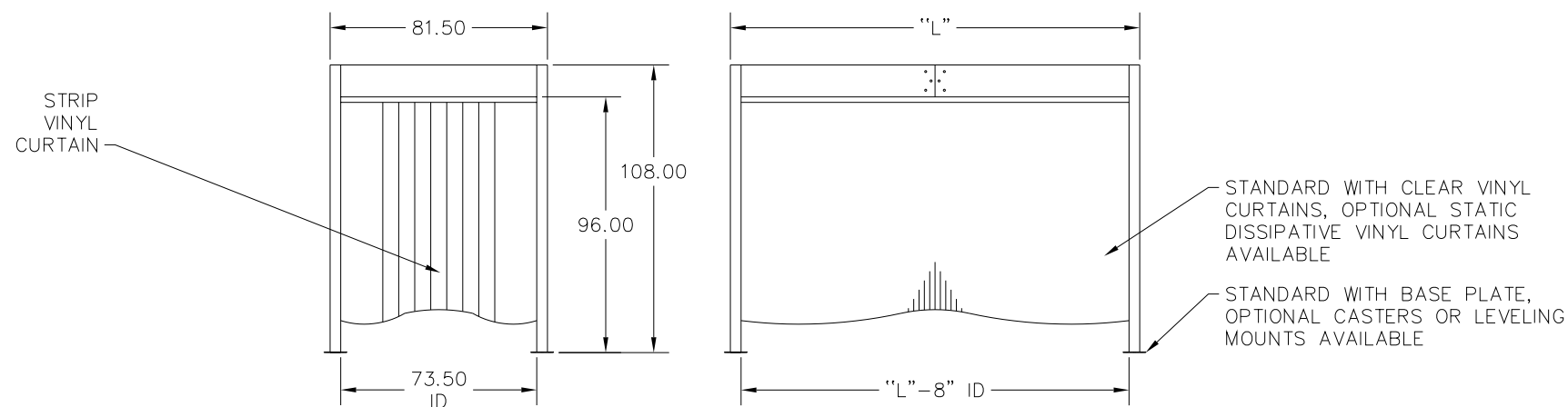
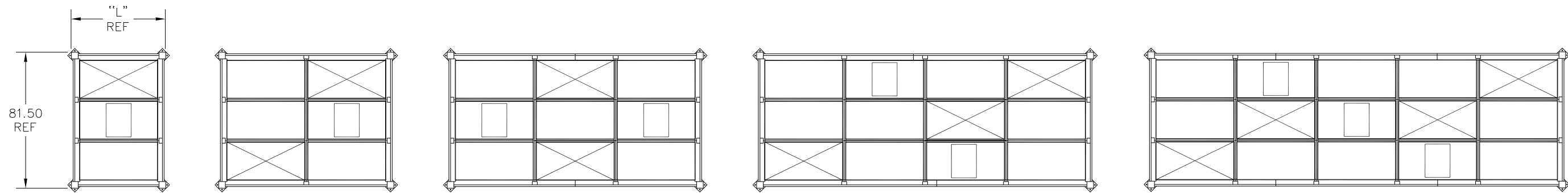


FILTER MODULE, 2 X 4



CEILING PANEL, 2 X 4

NO.	REVISIONS	DATE	REV. BY	APP. BY



NOTES:

1. CONSTRUCTION: 11, 16 GAUGE COLD ROLLED STEEL, 14, 18 GAUGE ALUMINUM, HOT ROLLED TUBE STEEL AND HOT ROLLED FLAT BAR..
2. FINISH: CHIP RESISTANT POWDER COAT, MEDIUM TEXTURE SEMI-GLOSS WHITE.
3. PREFILTERS: DISPOSABLE PANEL TYPE FILTERS.
4. FINAL FILTERS: 99.99% EFFICIENT, LEAK-TESTED AND SCANNED, GLASS MEDIA.
5. BLOWER/MOTOR: IMPELLER WITH SOLID STATE SPEED CONTROLLER
6. LIGHTING: FLUORESCENT TUBE TYPE.
7. ELECTRICAL: 120 VOLT, 60 HERTZ, SINGLE PHASE.

This drawing and design are the property of Pure Aire Corporation. They are submitted on the condition that they are not to be copied in whole or in part or used for any purpose detrimental to Pure Aire Corp.	DRN. RD	DATE: 01/30/98	 2219 Agate Court, Simi Valley, CA. 93065-1839 Phone (805) 527-1622 FAX (805) 527-2664
	DES. DATE:		
	CHK. DATE:		
	ENG. DATE:		
	MFG. DATE:		
	APR. DATE:		
UNLESS OTHERWISE SPECIFIED DIMENSIONS ARE IN INCHES	APR. DATE:		TITLE CLASS 10,000 PORTABLE SOFTWALL CLEANROOM 6 X XX FOOT
CUSTOMER	DO NOT SCALE PRINT	SCALE: NONE	SIZE D DRAWING NO. 0001-200302 REV. 1 OF 1