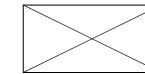


ITEM NUMBER	MODEL NUMBER	L	FILTERS	LIGHTS	CEILING PANELS	TOTAL CFM						
001	3PCR1204	56.50	2	2	2	1,440						
002	3PCR1208	105.00	4	3	5	2,880						
003	3PCR1212	153.50	6	4	8	4,320						
004	3PCR1216	202.00	8	6	10	5,760						
005	3PCR1220	250.50	10	7	13	7,200						
006	3PCR1224	299.00	12	8	16	8,640						

SYMBOLS



LIGHT FIXTURE, 2 X 4

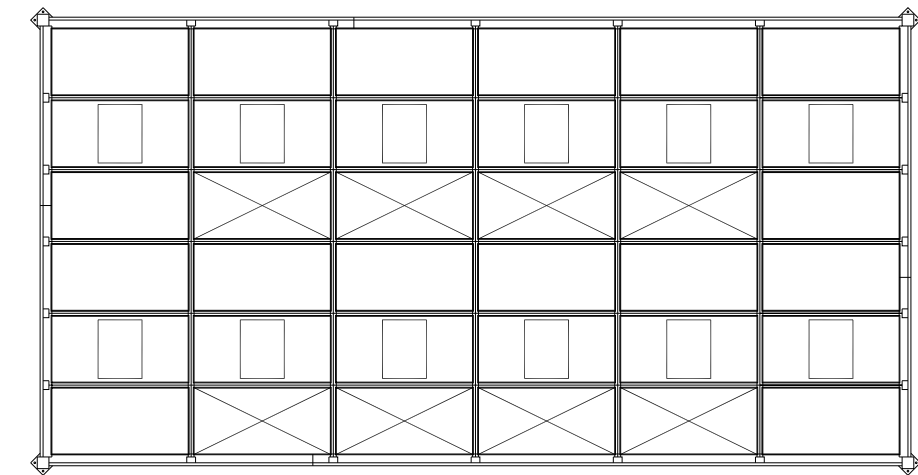
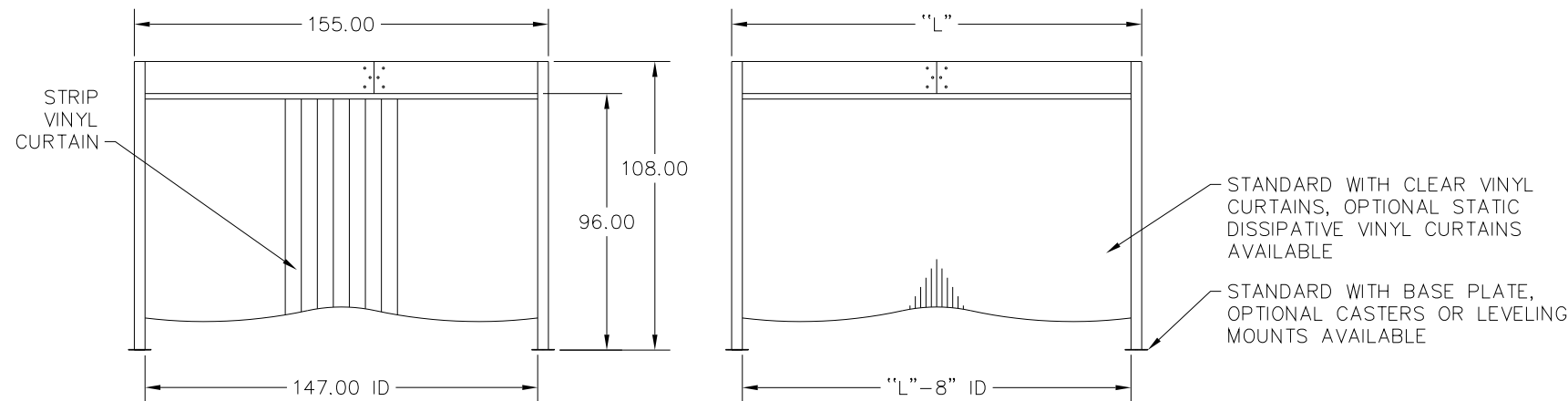
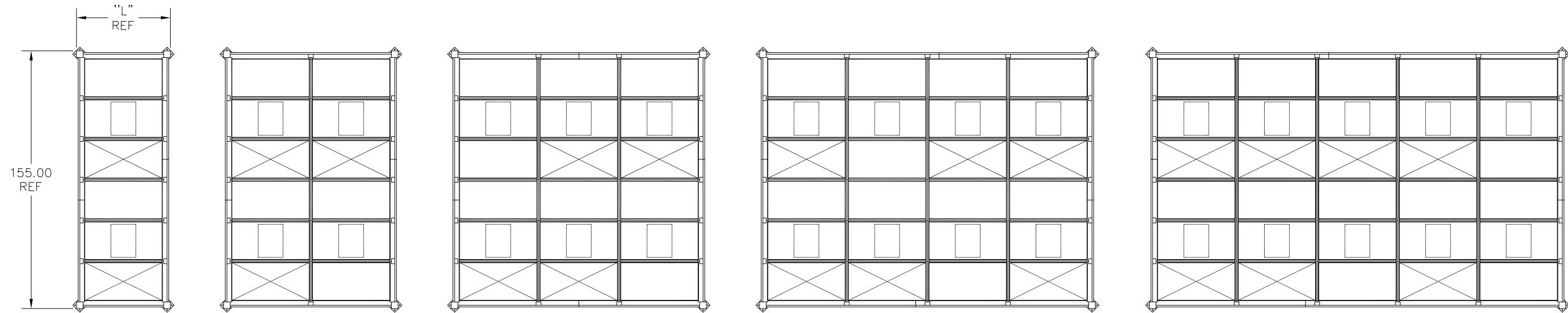


FILTER MODULE, 2 X 4



CEILING PANEL, 2 X 4

NO.	REVISIONS	DATE	REV. BY	APP. BY



NOTES:

1. CONSTRUCTION: 11, 16 GAUGE COLD ROLLED STEEL, 14, 18 GAUGE ALUMINUM, HOT ROLLED TUBE STEEL AND HOT ROLLED FLAT BAR..
2. FINISH: CHIP RESISTANT POWDER COAT, MEDIUM TEXTURE SEMI-GLOSS WHITE.
3. PREFILTERS: DISPOSABLE PANEL TYPE FILTERS.
4. FINAL FILTERS: 99.99% EFFICIENT, LEAK-TESTED AND SCANNED, GLASS MEDIA.
5. BLOWER/MOTOR: IMPELLER WITH SOLID STATE SPEED CONTROLLER
6. LIGHTING: FLUORESCENT TUBE TYPE.
7. ELECTRICAL: 120 VOLT, 60 HERTZ, SINGLE PHASE.

This drawing and design are the property of Pure Aire Corporation. They are submitted on the condition that they are not to be copied in whole or in part or used for any purpose detrimental to Pure Aire Corp.	DRN. RD	DATE: 01/30/98	 2219 Agate Court, Simi Valley, CA. 93065-1839 Phone (805) 527-1622 FAX (805) 527-2664
	DES. DATE:		
	CHK. DATE:		
	ENG. DATE:		
	MFG. DATE:		
APR. DATE:		TITLE	
APR. DATE:		CLASS 1,000 PORTABLE SOFTWALL CLEANROOM 12 X XX FOOT	
UNLESS OTHERWISE SPECIFIED DIMENSIONS ARE IN INCHES	CUSTOMER	SIZE	REV.
DO NOT SCALE PRINT		D	DRAWING NO. 0001-200205
		SCALE: NONE	1 OF 1