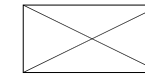
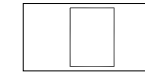


ITEM NUMBER	MODEL NUMBER	L	FILTERS	LIGHTS	CEILING PANELS	TOTAL CFM					
001	3PCR0604	56.50	1	1	1	720					
002	3PCR0608	105.00	2	2	3	1,440					
003	3PCR0612	153.50	3	2	4	2,160					
004	3PCR0616	202.00	4	3	5	2,880					
005	3PCR0620	250.50	5	4	6	3,600					
006	3PCR0624	299.00	6	4	8	4,320					

SYMBOLS



LIGHT FIXTURE, 2 X 4

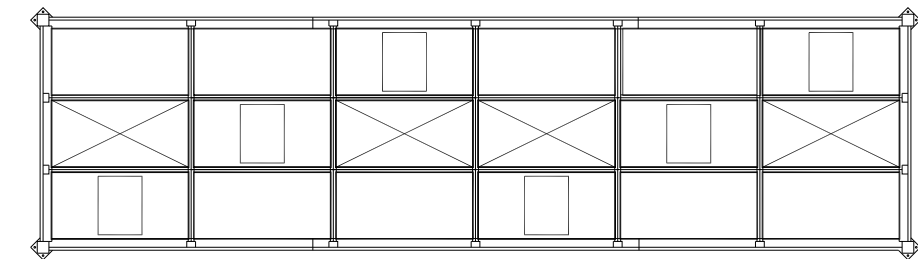
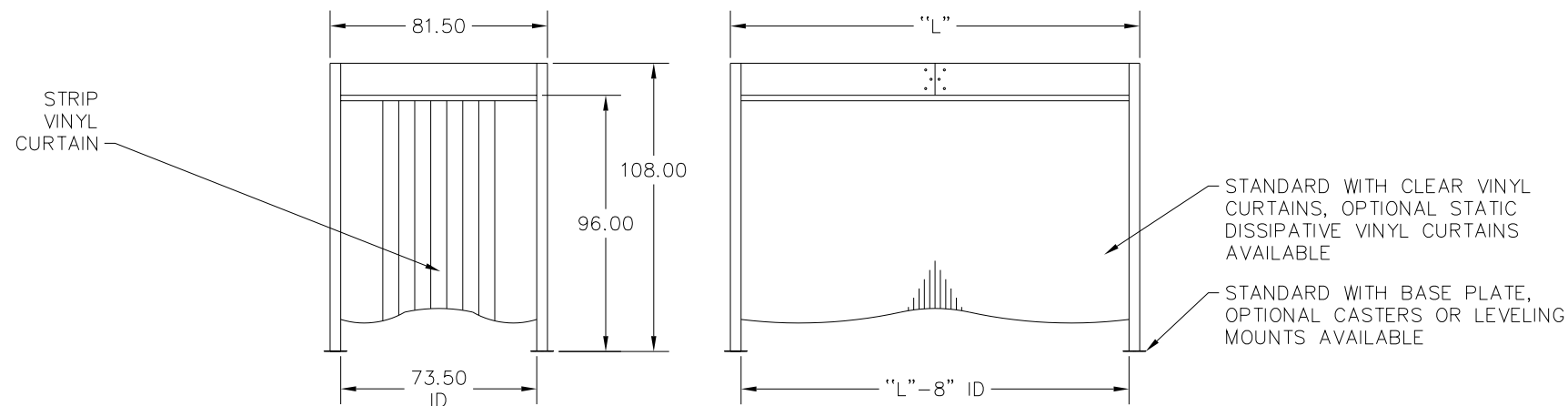
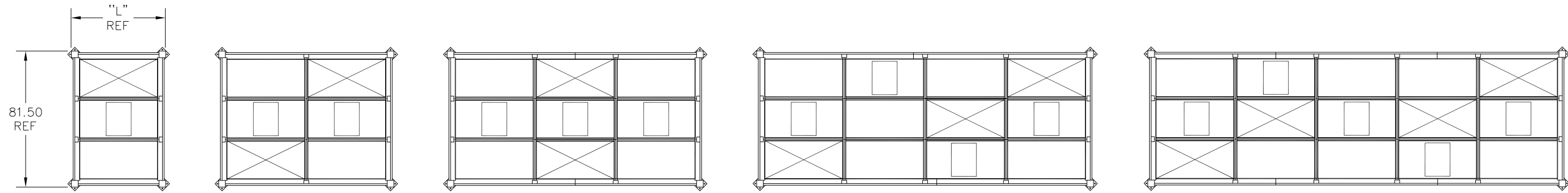


FILTER MODULE, 2 X 4



CEILING PANEL, 2 X 4

NO.	REVISIONS	DATE	REV. BY	APP. BY



NOTES:

1. CONSTRUCTION: 11, 16 GAUGE COLD ROLLED STEEL, 14, 18 GAUGE ALUMINUM, HOT ROLLED TUBE STEEL AND HOT ROLLED FLAT BAR..
2. FINISH: CHIP RESISTANT POWDER COAT, MEDIUM TEXTURE SEMI-GLOSS WHITE.
3. PREFILTERS: DISPOSABLE PANEL TYPE FILTERS.
4. FINAL FILTERS: 99.99% EFFICIENT, LEAK-TESTED AND SCANNED, GLASS MEDIA.
5. BLOWER/MOTOR: IMPELLER WITH SOLID STATE SPEED CONTROLLER
6. LIGHTING: FLUORESCENT TUBE TYPE.
7. ELECTRICAL: 120 VOLT, 60 HERTZ, SINGLE PHASE.

This drawing and design are the property of Pure Aire Corporation. They are submitted on the condition that they are not to be copied in whole or in part or used for any purpose detrimental to Pure Aire Corp.	DRN. RD	DATE: 01/30/98	 2219 Agate Court, Simi Valley, CA. 93065-1839 Phone (805) 527-1622 FAX (805) 527-2664
	DES.	DATE:	
	CHK.	DATE:	
	ENG.	DATE:	
	MFG.	DATE:	
APR.	DATE:	TITLE	
APR.	DATE:	CLASS 1,000 PORTABLE SOFTWALL CLEANROOM 6 X XX FOOT	
UNLESS OTHERWISE SPECIFIED DIMENSIONS ARE IN INCHES	CUSTOMER	SIZE	REV.
DO NOT SCALE PRINT	SCALE: NONE	D	DRAWING NO. 0001-200202
			1 OF 1