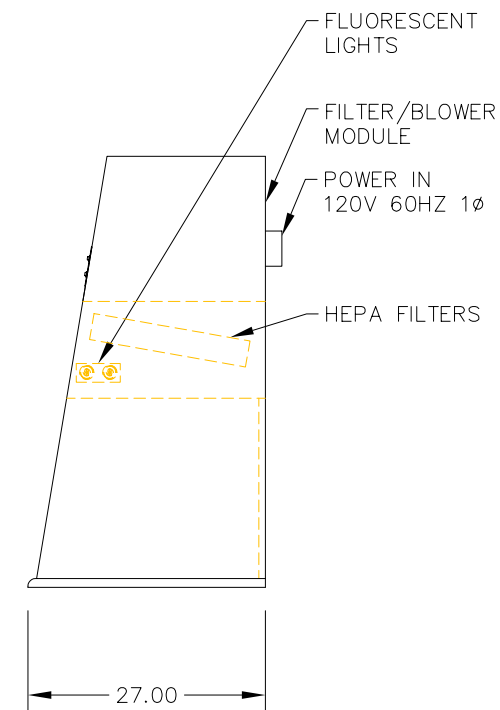
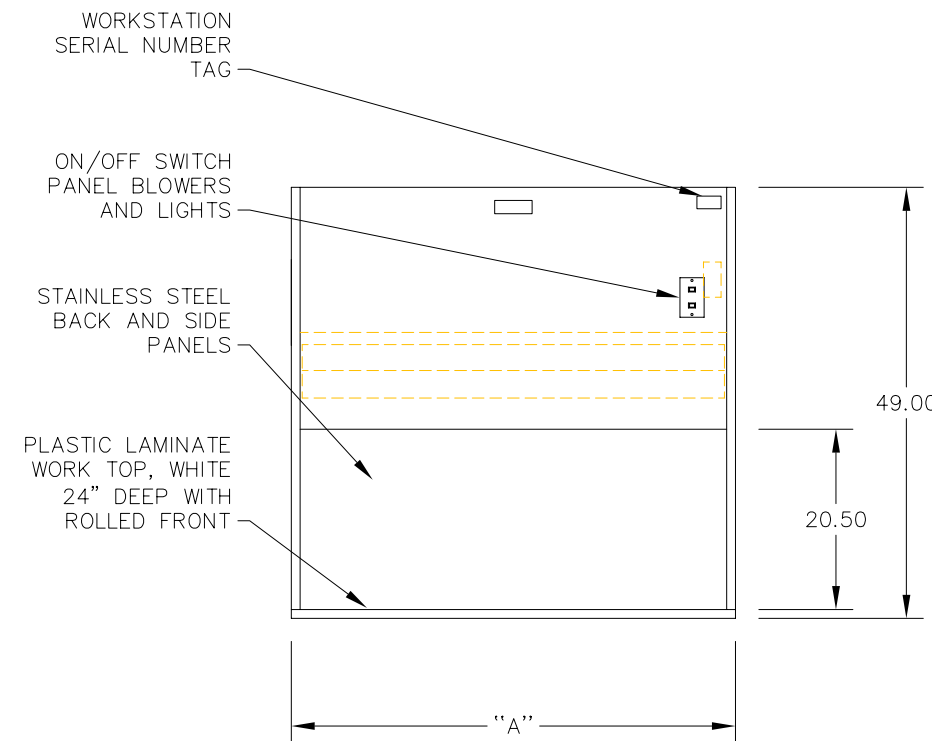
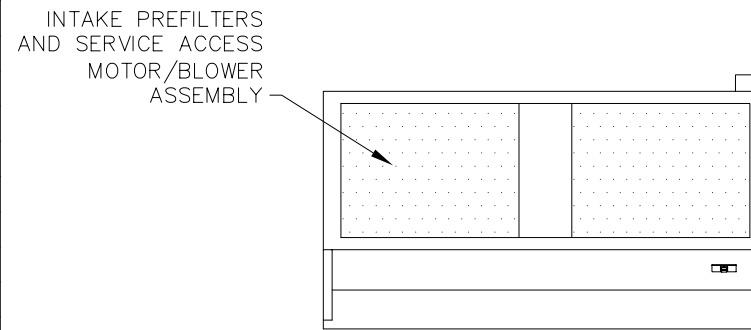


NO.	REVISIONS	DATE	REV.BY	APR.BY

ITEM NUMBER	MODEL NUMBER	A	B	C		
001	VTM2418	26.50				
002	VTM3618	38.50				
003	VTM4818	50.50				
004	VTM6018	62.50				
005	VTM7218	74.50				
006	VTM8418	86.50				
007	VTM9618	98.50				
008						
009						
010						
011						
012						
013						
014						
015						
016						
017						
018						
019						
020						
021						
022						
023						
024						
025						
026						
027						
028						
029						
030						
031						
032						



NOTES:

1. CONSTRUCTION: 16 GAUGE COLD ROLLED STEEL, 18 GAUGE ALUMINUM GRILLS.
2. FINISH: CHIP RESISTANT POWDER COAT, SMOOTH SEMI-GLOSS WHITE.
3. PREFILTERS: DISPOSABLE PANEL TYPE FILTERS.
4. FINAL FILTERS: 99.99% EFFICIENT, LEAK-TESTED AND SCANNED, GLASS MEDIA, NEOPRENE GASKET SEAL, SPRING TENSION COMPRESSION CLAMPS.
5. BLOWER/MOTOR: DIRECT DRIVE WITH SOLID STATE SPEED CONTROLLER
6. LIGHTING: FLUORESCENT TYPE.

This drawing and design are the property of Pure Aire Corporation. They are submitted on the condition that they are not to be copied in whole or in part or used for any purpose detrimental to Pure Aire Corp.	DRN. RE	DATE: 11/15/85	 2219 Agate Court, Simi Valley, CA. 93065-1839 Phone (805) 527-1622 FAX (805) 527-2664
	DES.	DATE:	
	CHK. KIM	DATE: 11/20/85	
	ENG.	DATE:	
MFG.	DATE:	TITLE	
APR. LS	DATE: 11/25/85	VERTICAL LAMINAR FLOW WORKSTATION, "VTM" SERIES	
APR. MS	DATE: 11/26/85		
CUSTOMER	SIZE	DRAWING NO.	REV.
DO NOT SCALE PRINT	D	0001-175000	1 OF 1
	SCALE: NONE		