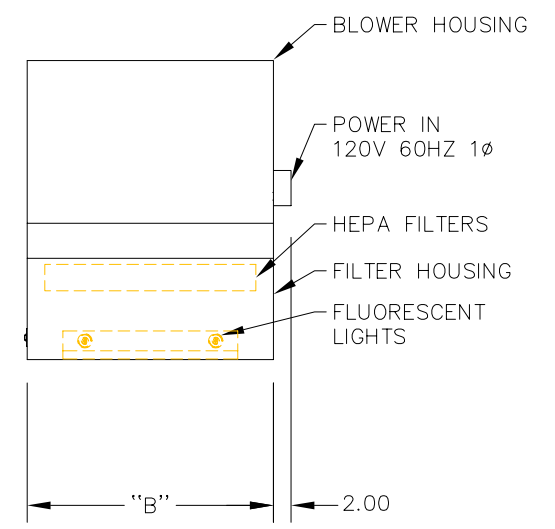
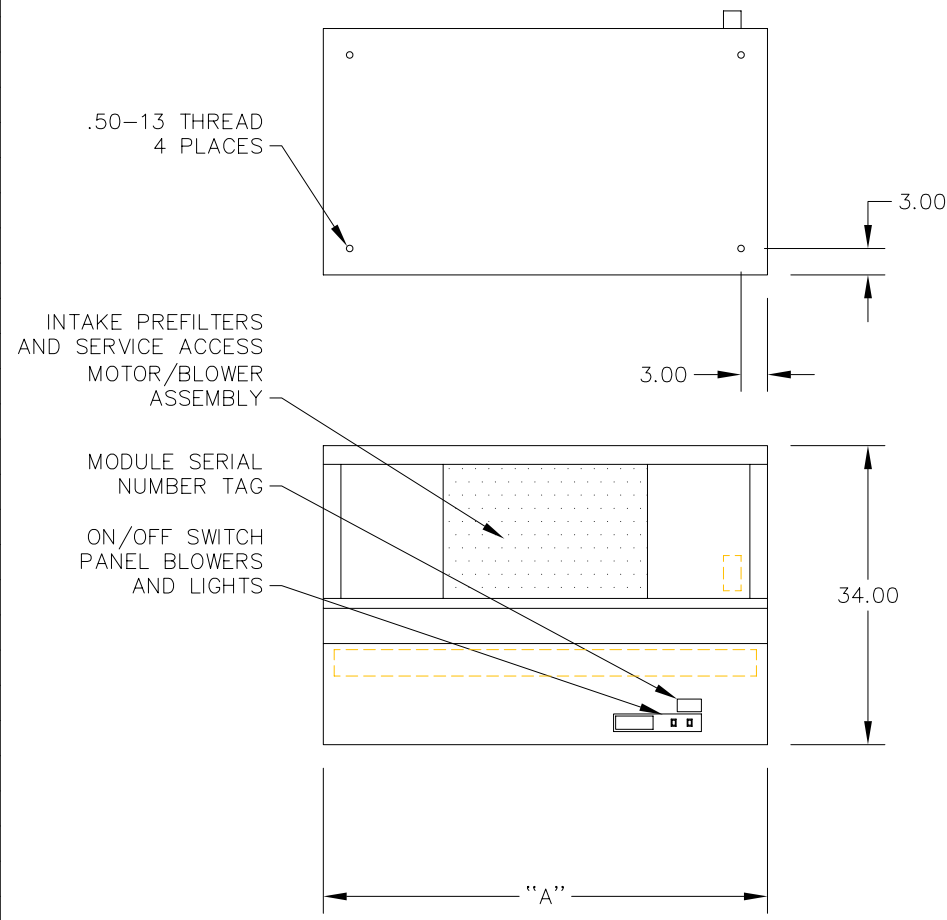


NO.	REVISIONS	DATE	REV.BY	APP.BY

ITEM NUMBER	MODEL NUMBER	A	B			
001	OH324024	26.50	28.00			
002	OH324030	26.50	34.00			
003	OH336024	38.50	28.00			
004	OH336030	38.50	34.00			
005	OH348024	50.50	28.00			
006	OH348030	50.50	34.00			
007	OH348036	50.50	40.00			
008	OH348048	50.50	54.00			
009	OH360024	62.50	28.00			
010	OH360030	62.50	34.00			
011	OH360036	62.50	40.00			
012	OH360048	62.50	54.00			
013	OH372024	74.50	28.00			
014	OH372030	74.50	34.00			
015	OH372036	74.50	40.00			
016	OH372048	74.50	54.00			
017	OH384024	86.50	28.00			
018	OH384030	86.50	34.00			
019	OH384036	86.50	40.00			
020	OH384048	86.50	54.00			
021	OH396024	98.50	28.00			
022	OH396030	98.50	34.00			
023	OH396036	98.50	40.00			
024	OH396048	98.50	54.00			
025						
026						
027						
028						
029						
030						
031						
032						
033						
034						
035						
036						



NOTES:

1. CONSTRUCTION: 16 GAUGE COLD ROLLED STEEL, 18 GAUGE ALUMINUM GRILLS.
2. FINISH: CHIP RESISTANT POWDER COAT, MEDIUM TEXTURE SEMI-GLOSS WHITE.
3. PREFILTERS: DISPOSABLE PANEL TYPE FILTERS.
4. FINAL FILTERS: 99.99% EFFICIENT, LEAK-TESTED AND SCANNED, GLASS MEDIA, NEOPRENE GASKET SEAL, SPRING TENSION COMPRESSION CLAMPS.
5. BLOWER/MOTOR: DIRECT DRIVE WITH SOLID STATE SPEED CONTROLLER
6. LIGHTING: FLUORESCENT TYPE.

This drawing and design are the property of Pure Aire Corporation. They are submitted on the condition that they are not to be copied in whole or in part or used for any purpose detrimental to Pure Aire Corp.	DRN. RE	DATE: 11/15/85	 2219 Agate Court, Simi Valley, CA. 93065-1839 Phone (805) 527-1622 FAX (805) 527-2664
	DES.	DATE:	
	CHK. KIM	DATE: 11/20/85	
	ENG.	DATE:	
MFG.	DATE:	TITLE	VERTICAL LAMINAR FLOW MODULE OH3000 SERIES
APR. LS	DATE: 11/25/85		
APR. MS	DATE: 11/26/85	CUSTOMER	SIZE
UNLESS OTHERWISE SPECIFIED DIMENSIONS ARE IN INCHES	DO NOT SCALE PRINT	DRAWING NO. 0001-165000	REV. 1 OF 1