

LP3000 MODULE				
ITEM NUMBER	MODEL NUMBER	A	B	C
001	LP336024	38.50	28.00	34.50
002	LP336030	38.50	34.00	34.50
003	LP336036	38.50	40.00	34.50
004	LP348024	50.50	28.00	46.50
005	LP348030	50.50	34.00	46.50
006	LP348036	50.50	40.00	46.50
007	LP360024	62.50	28.00	58.50
008	LP360030	62.50	34.00	58.50
009	LP360036	62.50	40.00	58.50
010	LP372024	74.50	28.00	70.50
011	LP372030	74.50	34.00	70.50
012	LP372036	74.50	40.00	70.50
013	LP384024	86.50	28.00	82.50
014	LP384030	86.50	34.00	82.50
015	LP384036	86.50	40.00	82.50
016	LP396024	98.50	28.00	94.50
017	LP396030	98.50	34.00	94.50
018	LP396036	98.50	40.00	94.50

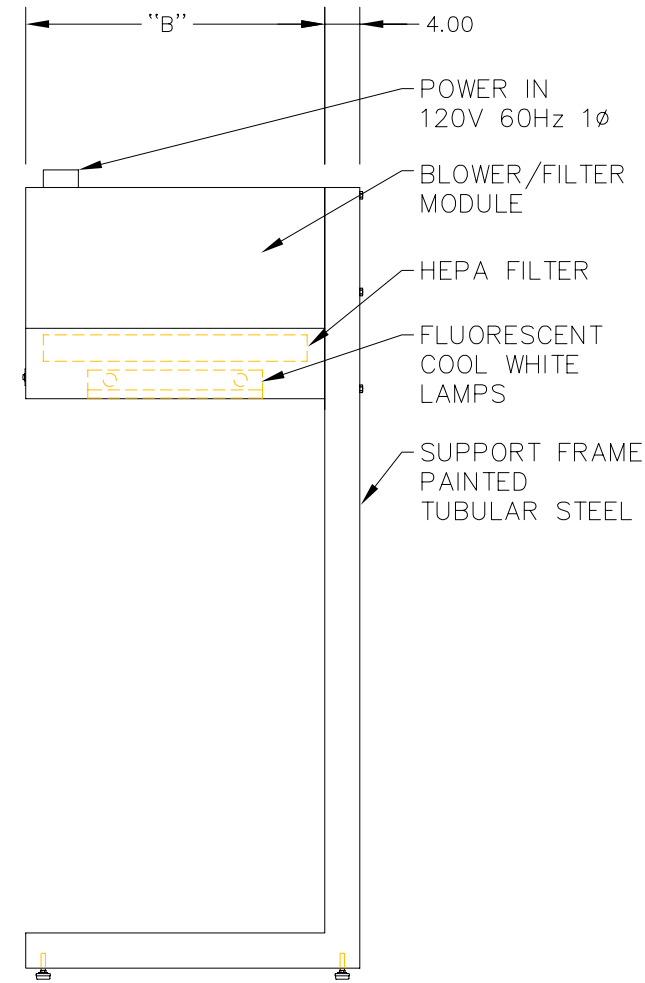
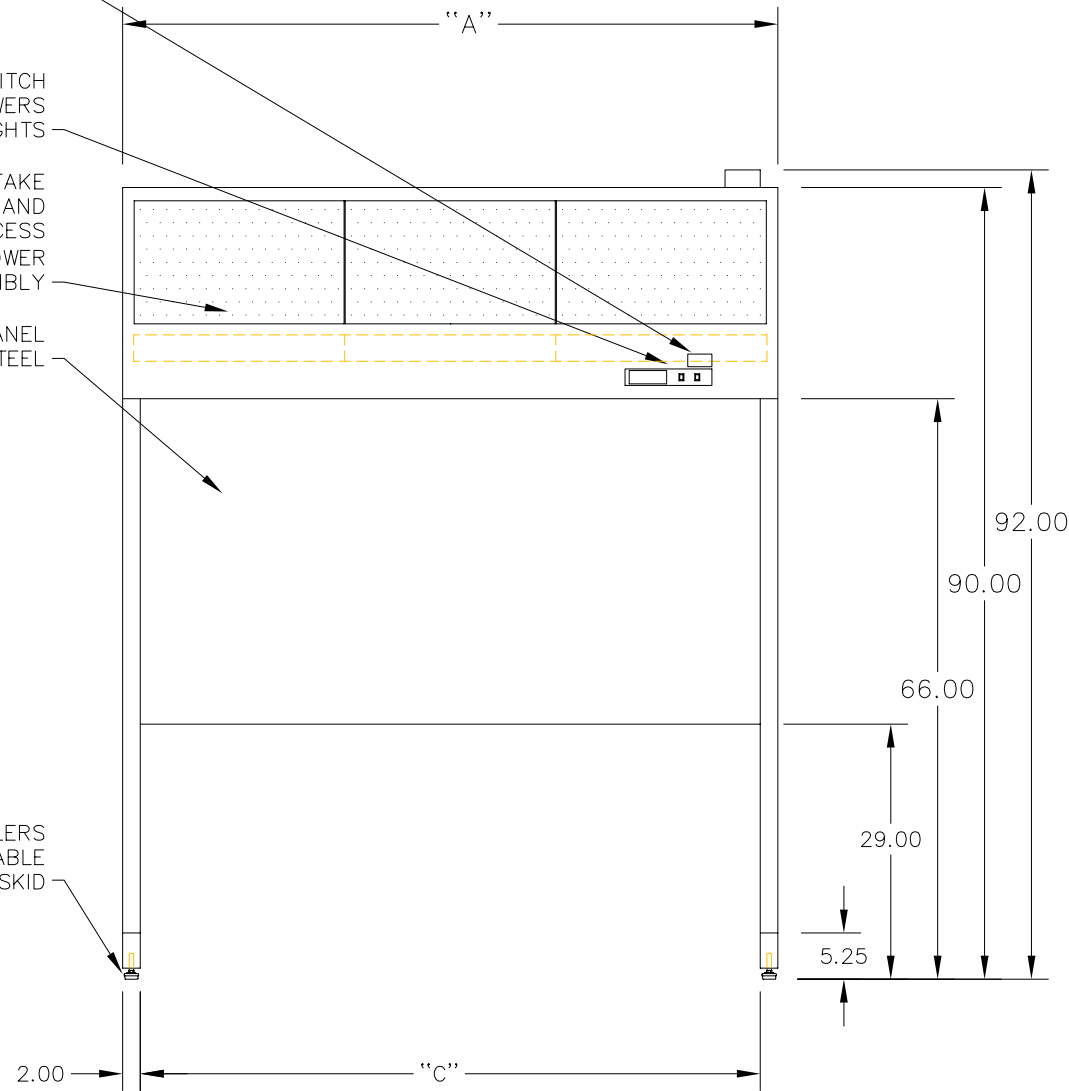
WORKSTATION  
SERIAL NUMBER  
TAG

ON/OFF SWITCH  
PANEL BLOWERS  
AND LIGHTS

INTAKE  
PREFILTERS AND  
SERVICE ACCESS  
MOTOR/BLOWER  
ASSEMBLY

BACK PANEL  
PAINTED STEEL

LEVELERS  
ADJUSTABLE  
NONSKID



NO.	REVISIONS	DATE	REV.BY	APR.BY

NOTES:

1. CONSTRUCTION: 16 GAUGE COLD ROLLED STEEL, 18 GAUGE ALUMINUM GRILLS.
2. FINISH: CHIP RESISTANT POWDER COAT, MEDIUM TEXTURE SEMI-GLOSS WHITE.
3. PREFILTERS: DISPOSABLE PANEL TYPE FILTERS.
4. FINAL FILTERS: 99.99% EFFICIENT, LEAK-TESTED AND SCANNED, GLASS MEDIA, NEOPRENE GASKET SEAL, SPRING TENSION COMPRESSION CLAMPS.
5. BLOWER/MOTOR: DIRECT DRIVE WITH SOLID STATE SPEED CONTROLLER
6. LIGHTING: FLUORESCENT TYPE.

This drawing and design are the property of Pure Aire Corporation. They are submitted on the condition that they are not to be copied in whole or in part or used for any purpose detrimental to Pure Aire Corp.	DRN. RE	DATE: 11/15/85	 2219 Agate Court, Simi Valley, CA. 93065-1839 Phone (805) 527-1622 FAX (805) 527-2664
	DES.	DATE:	
	CHK. KIM	DATE: 11/20/85	
	ENG.	DATE:	
	MFG.	DATE:	
	APR. LS	DATE: 11/25/85	
APR. MS	DATE: 11/26/85	TITLE	
UNLESS OTHERWISE SPECIFIED DIMENSIONS ARE IN INCHES	CUSTOMER		VERTICAL LAMINAR FLOW WORKSTATION, LP3000 SERIES
DO NOT SCALE PRINT	SIZE D	DRAWING NO. 0001-155000	REV. 1 OF 1