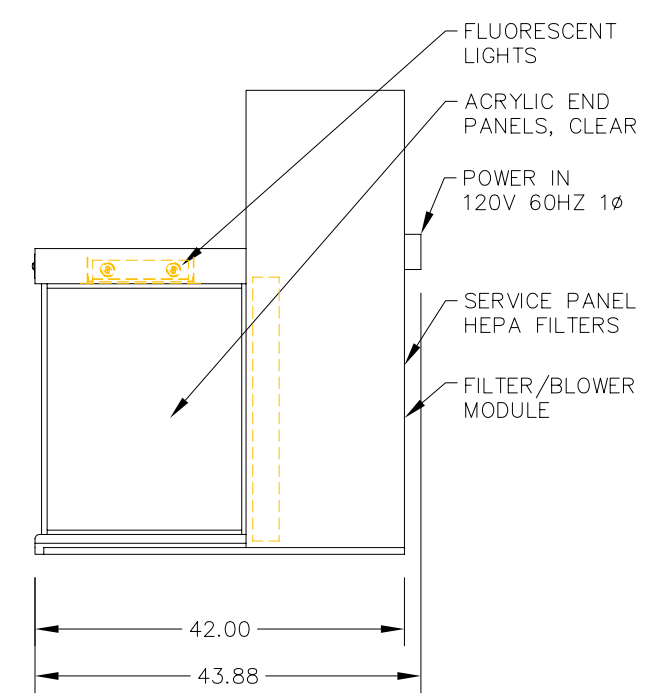
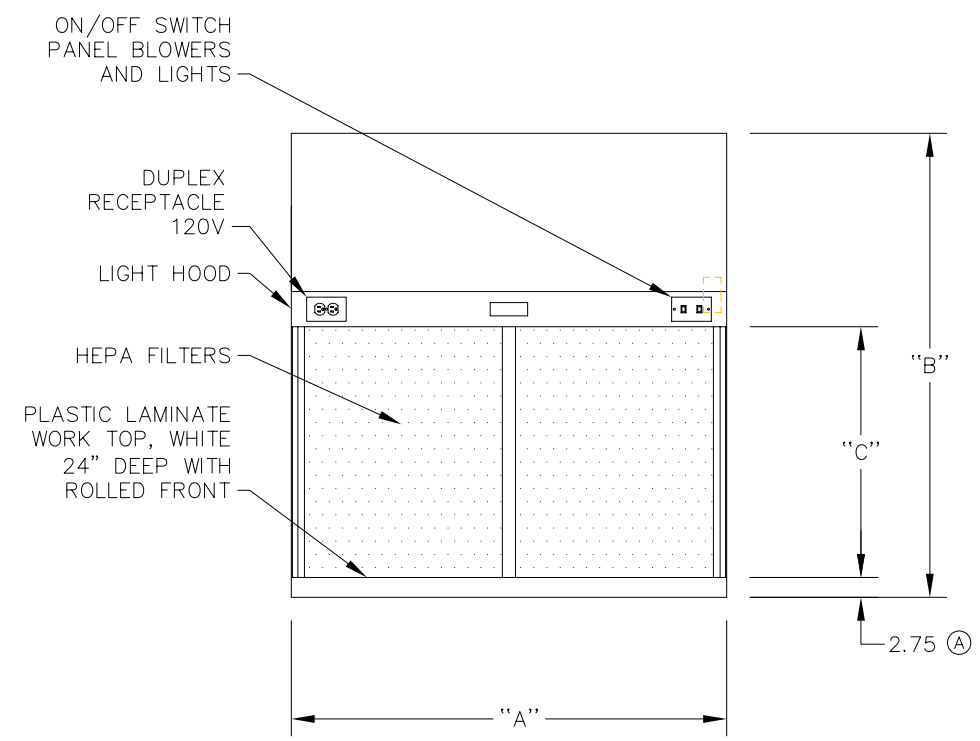
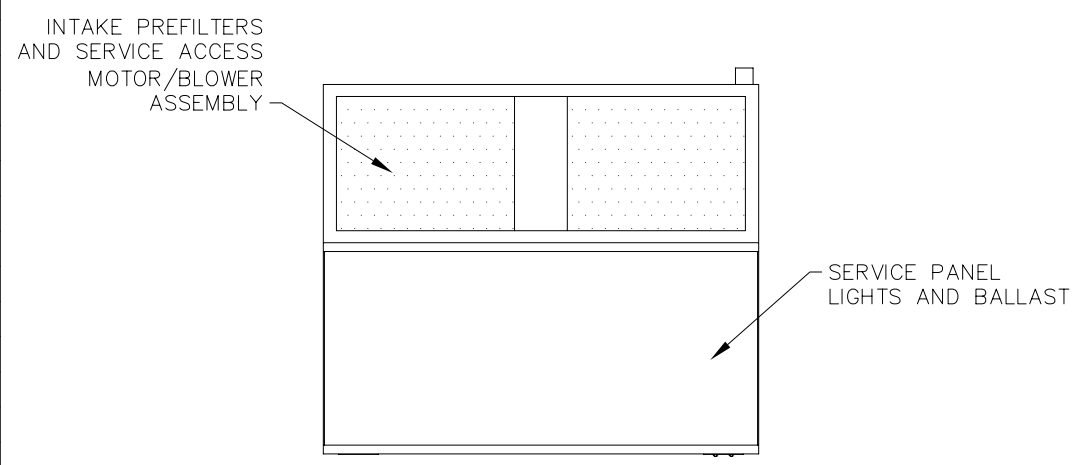


NO.	REVISIONS	DATE	REV BY	APP BY
A	INCREASED "B" DIMENSION 1 INCH, 2.75 WAS 2.25	4/21/12	RD	

ITEM NUMBER	MODEL NUMBER	A	B	C
001	TM2424	25.50	47.75	22.50
002	TM2430	25.50	53.75	28.50
003				
004				
005	TM3624	37.50	47.75	22.50
006	TM3630	37.50	53.75	28.50
007	TM3636	37.50	58.75	34.50
008				
009	TM4824	49.50	47.75	22.50
010	TM4830	49.50	53.75	28.50
011	TM4836	49.50	59.75	34.50
012	TM4848	49.50	71.75	46.50
013	TM6024	61.50	47.75	22.50
014	TM6030	61.50	53.75	28.50
015	TM6036	61.50	59.75	34.50
016	TM6048	61.50	71.75	46.50
017	TM7224	73.50	47.75	22.50
018	TM7230	73.50	53.75	28.50
019	TM7236	73.50	59.75	34.50
020	TM7248	73.50	71.75	46.50
021	TM8424	85.50	47.75	22.50
022	TM8430	85.50	53.75	28.50
023	TM8436	85.50	59.75	34.50
024	TM8448	85.50	71.75	46.50
025	TM9624	97.50	47.75	22.50
026	TM9630	97.50	53.75	28.50
027	TM9636	97.50	59.75	34.50
028	TM9648	97.50	71.75	46.50
029				
030				
031				
032				



- NOTES:
- CONSTRUCTION: 16 GAUGE COLD ROLLED STEEL, 18 GAUGE ALUMINUM GRILLS.
  - FINISH: CHIP RESISTANT POWDER COAT, SMOOTH SEMI-GLOSS WHITE.
  - PREFILTERS: DISPOSABLE PANEL TYPE FILTERS.
  - FINAL FILTERS: 99.99% EFFICIENT, LEAK-TESTED AND SCANNED, GLASS MEDIA, NEOPRENE GASKET SEAL, SPRING TENSION COMPRESSION CLAMPS.
  - BLOWER/MOTOR: DIRECT DRIVE WITH SOLID STATE SPEED CONTROLLER
  - LIGHTING: FLUORESCENT TYPE.

This drawing and design are the property of Pure Aire Corporation. They are submitted on the condition that they are not to be copied in whole or in part or used for any purpose detrimental to Pure Aire Corp.	DRN. KEVIN D. DATE: 11/15/85	 2219 Agate Court, Simi Valley, CA. 93065-1839 Phone (805) 527-1622 FAX (805) 527-2664
	DES. DATE:	
	CHK. DATE:	
	ENG. DATE:	
	MFG. DATE:	
	APR. DATE:	
APR. DATE:	TITLE	HORIZONTAL LAMINAR FLOW WORKSTATION, "TM" SERIES
UNLESS OTHERWISE SPECIFIED DIMENSIONS ARE IN INCHES	CUSTOMER	SIZE D DRAWING NO. 0001-125000
DO NOT SCALE PRINT	SCALE: NONE	REV. A 1 OF 1